

Circulate to: Sales Manager Accounting Service Manager Technician Parts Manager

Accessories Mounted to Mercury Outboard Engines

Models Affected

Models Covered
All Mercury/Mariner/Force Outboards

Scope

Worldwide

Situation

Mercury Marine has been made aware that certain aftermarket marine accessories, such as emergency boarding ladders, shallow water anchors, transom wedge kits, and tow sport attaching devices can be mounted to the boat by use of the same fasteners that secure the outboard to the transom (or jack plate). The multiple uses of these fasteners (securing both an accessory and the engine to the boat) compromises the ability of the fasteners to maintain the proper clamp load. The use of a boat with loose engine mounting fasteners creates the possibility of performance, durability, and/or safety issues.

⚠ WARNING

Loose engine fasteners could cause the transom bracket to fail, resulting in a loss of the driver's ability to control the boat, which could cause serious personal injury or death.

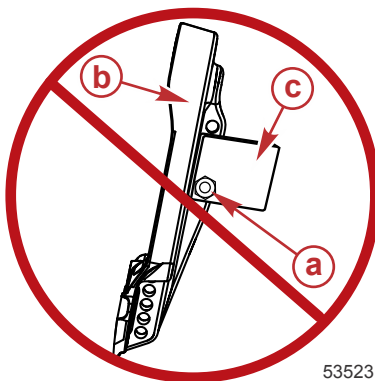
Recommendation

Do not use the fasteners that secure the engine to the boat (either the transom or the jack plate) for any purpose other than securing the engine to the boat.

Examples:

- Do not attach an accessory to the boat by use of the engine mounting hardware. See Figure 1.

Figure 1



- a - Engine supplied mounting fasteners
- b - Transom clamp bracket
- c - Accessory

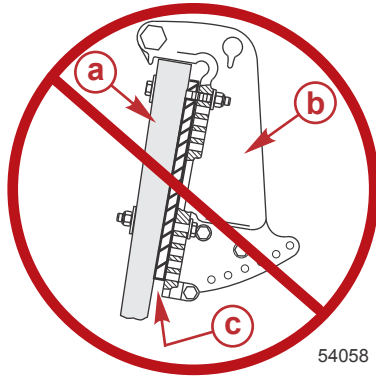
53523

THE INFORMATION IN THIS DOCUMENT IS CONFIDENTIAL AND PROTECTED BY COPYRIGHT AND IS THE PROPERTY OF MERCURY MARINE.

This document is provided for the sole and exclusive use of the original recipient as prescribed by Mercury Marine and may not be distributed or copied, digitally or otherwise, without the prior written consent of Mercury Marine.

- Do not install wedges or plates between the engine transom clamp brackets and the transom (or jack plate). See Figure 2.

Figure 2



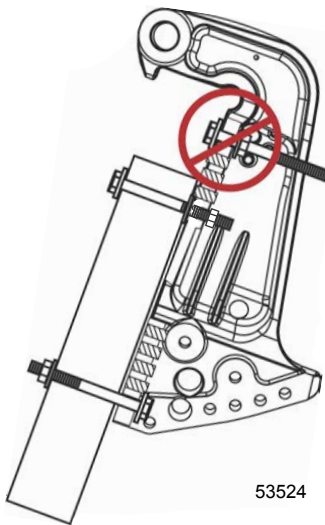
- a - Boat transom or jack plate
- b - Transom clamp bracket
- c - Wedge/plate

Acceptable Installations

After the engine is mounted to the transom or jack plate, consistent with the engine installation instructions, it is acceptable to attach an accessory to the boat by use of the unused bolt holes in the transom clamp bracket as shown in Figure 4, but only if:

- The accessory fasteners pass through the boat transom or jack plate.
- The accessory devices are not mounted to the clamp bracket in an unsupported condition. See Figure 3.

Figure 3

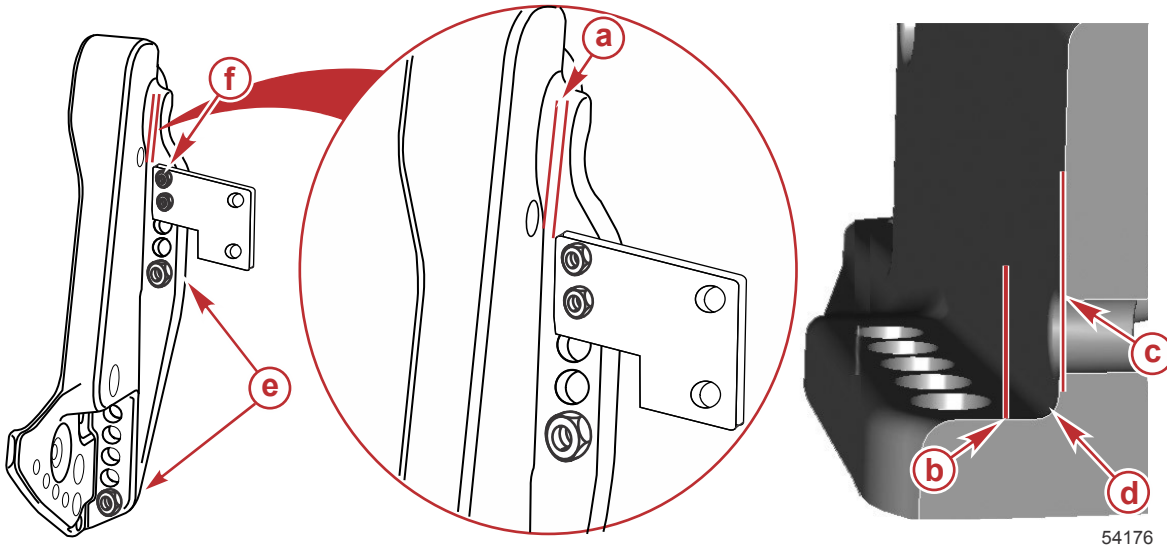


THE INFORMATION IN THIS DOCUMENT IS CONFIDENTIAL AND PROTECTED BY COPYRIGHT AND IS THE PROPERTY OF MERCURY MARINE.

This document is provided for the sole and exclusive use of the original recipient as prescribed by Mercury Marine and may not be distributed or copied, digitally or otherwise, without the prior written consent of Mercury Marine.

- The installation does not create interference issues, such as an accessory mounting plate resting in the radius of the clamp bracket. See Figure 4.

Figure 4



- a** - Minimum clearance 3.175 mm (0.125 in.)
- b** - Edge of accessory bracket
- c** - Transom clamp bracket wall
- d** - Radius
- e** - Engine supplied mounting fasteners
- f** - Accessory manufacturer supplied fasteners through unused engine mounting bracket holes

THE INFORMATION IN THIS DOCUMENT IS CONFIDENTIAL AND PROTECTED BY COPYRIGHT AND IS THE PROPERTY OF MERCURY MARINE.

This document is provided for the sole and exclusive use of the original recipient as prescribed by Mercury Marine and may not be distributed or copied, digitally or otherwise, without the prior written consent of Mercury Marine.