



# service information

ADVISORY  
 BULLETIN

No. 99-9

## Gearcase Sleeve 41121 - 9.9/15 (4S) & 20/25 (2S)

### Models Affected

MERCURY/MARINER

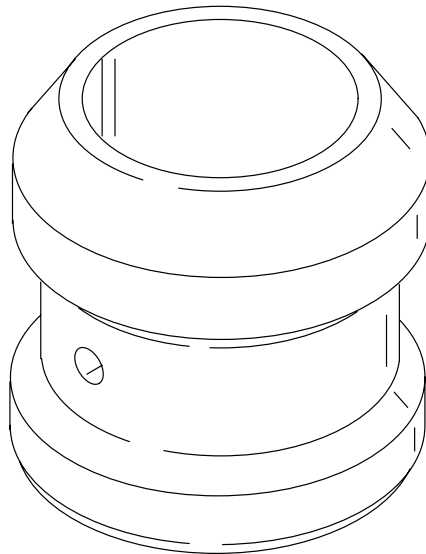
9.9/15 (4-Stroke)  
1999 and Newer

USA S/N 0G760300 and above

18/20/25 (2-Stroke)  
1984 and Newer

USA S/N 06416713 and above  
Belgium S/N 09390291 and above  
Canada S/N 07207858 and above

A replacement sleeve p/n 41121 for the gear housing is now available for the models listed. The sleeve is located in the gear housing below the water pump and retains the upper drive-shaft needle bearing and oil seals. Replacement may be required if it becomes corroded or damaged. Removal is difficult without proper tools. It is important to follow the procedures outlined in this advisory. Installation of the new sleeve requires the application of Loctite 271. Sufficient time for a complete cure of the Loctite is also essential.

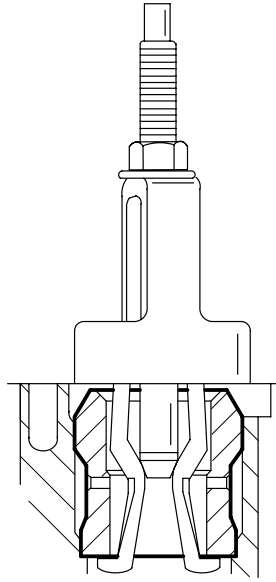


**P/N 41121 Sleeve**

57423

## REMOVAL

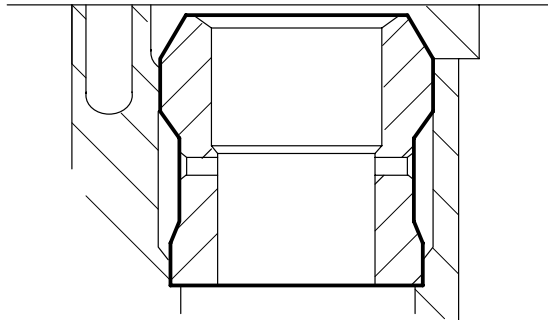
The sleeve is bonded into the gear housing. Removal requires a strong puller such as p/n 91-83165T.



57637

## INSTALLATION

Inspect the gear housing area that contacts the sleeve for damage and/or corrosion that may degrade the ability to adequately support the sleeve. Remove old Loctite and clean the area with Quiksilver Marine Parts Degreaser/Cleaner 92-809827. Apply Loctite "271" to outside contact area of sleeve and to the bore of gearcase. Press sleeve quickly into gear housing with a suitable mandrel until it contacts the gear housing shoulder. Allow 30 minutes for the Loctite to cure. Install driveshaft bearing and seals following instructions in the service manual.



57421

This dealer communication is for "Information Only". The contents will be inserted into the proper service document(s) at a future date.