

## Lower End Cap Seal Change - 1992 40 (4 Cylinder)

### Mariner and Mercury

40 (4 Cylinder)

Serial Number:

US 0D089547 and above

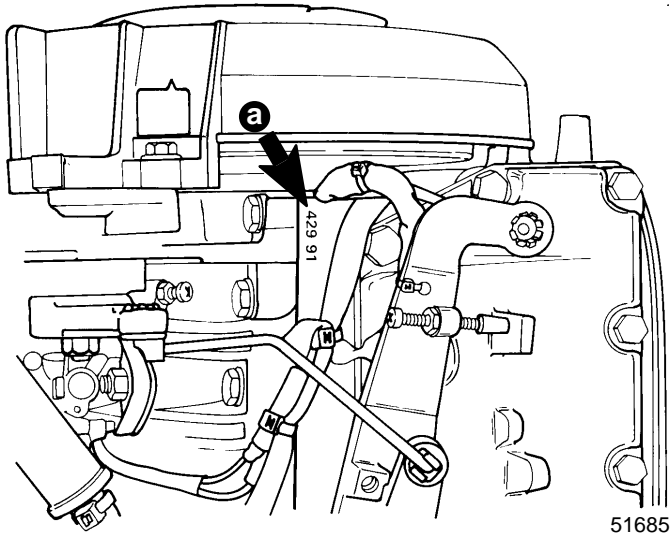
Belgium 9722645 and above

Powerhead date stamp (US only)

429 91 and later (April 29, 1991).

Starting with models listed, both seals in the lower end cap have the lip facing down. Previously, seals were arranged with the top (crank shaft) seal lip facing up and the bottom (drive shaft) seal lip facing down.

Service powerheads with this new seal arrangement, are identified by date code 429 91 and later. The date code stamp is located on the port side of the powerhead, near the cylinder block/crankcase cover split line.



51685

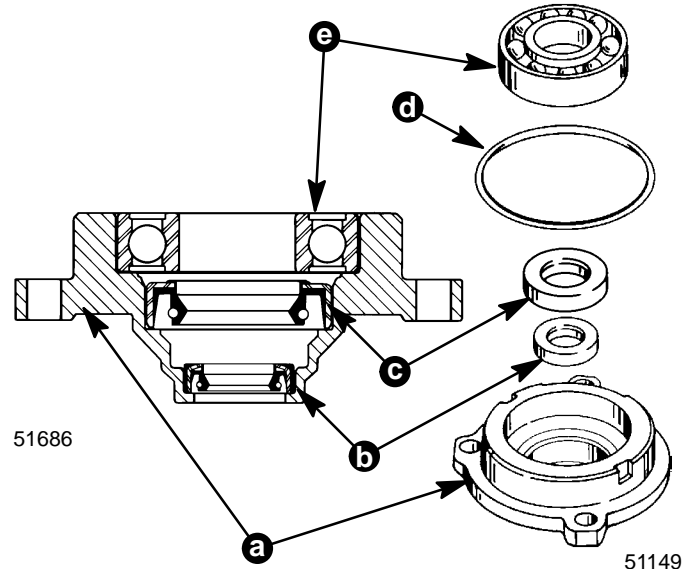
4	2	9	9	1
---	---	---	---	---

April 29, 1991

a - Date Code Stamp Location

### SERVICE:

When servicing any 40 (4 cylinder) powerhead which has a lower end cap marked 1158-9843-C1, install both seals in the lower end cap with seal lip facing down.



51686

51149

- a - End Cap
- b - Seal-Bottom
- c - Seal-Top
- d - O-Ring
- e - Bearing

### WARRANTY:

If a lower end cap seal and/or bearing failure occurs within twelve (12) months from the date of original sale, the normal warranty applies.

Complete warranty claim listing:

Outboard serial number

Qty. 1 P/N 1158-9843A-2  
Lower End Cap Assembly

Two and one half (2.5) hours labor

Labor Rate Code OP42

Failure Code - 424 99